

1

2

3

4

5

6

RevNo	Revision note	Date	Signature	Checked
-------	---------------	------	-----------	---------

A

A

B

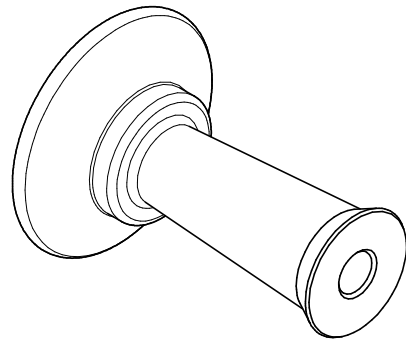
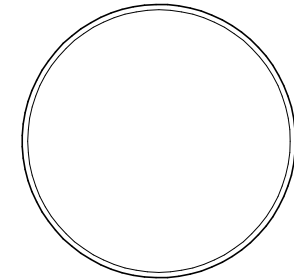
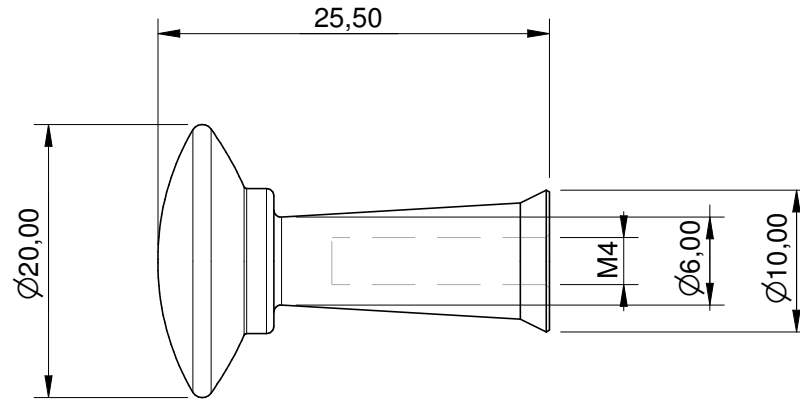
B

C

C

D

D



Itemref	Quantity	Material: edelstahl			Article No./Reference		
Drawn by Oliver Befurt		Checked by	Approved by		Bauteil/Part griff	Date 25.05.2010	Maßstab 2:1
<b>BEFURT design</b> exclusives aus edelstahl					<b>möbelknopf SEATTLE</b>		
					2010-1504-BDS		Edition

1

2

3

6